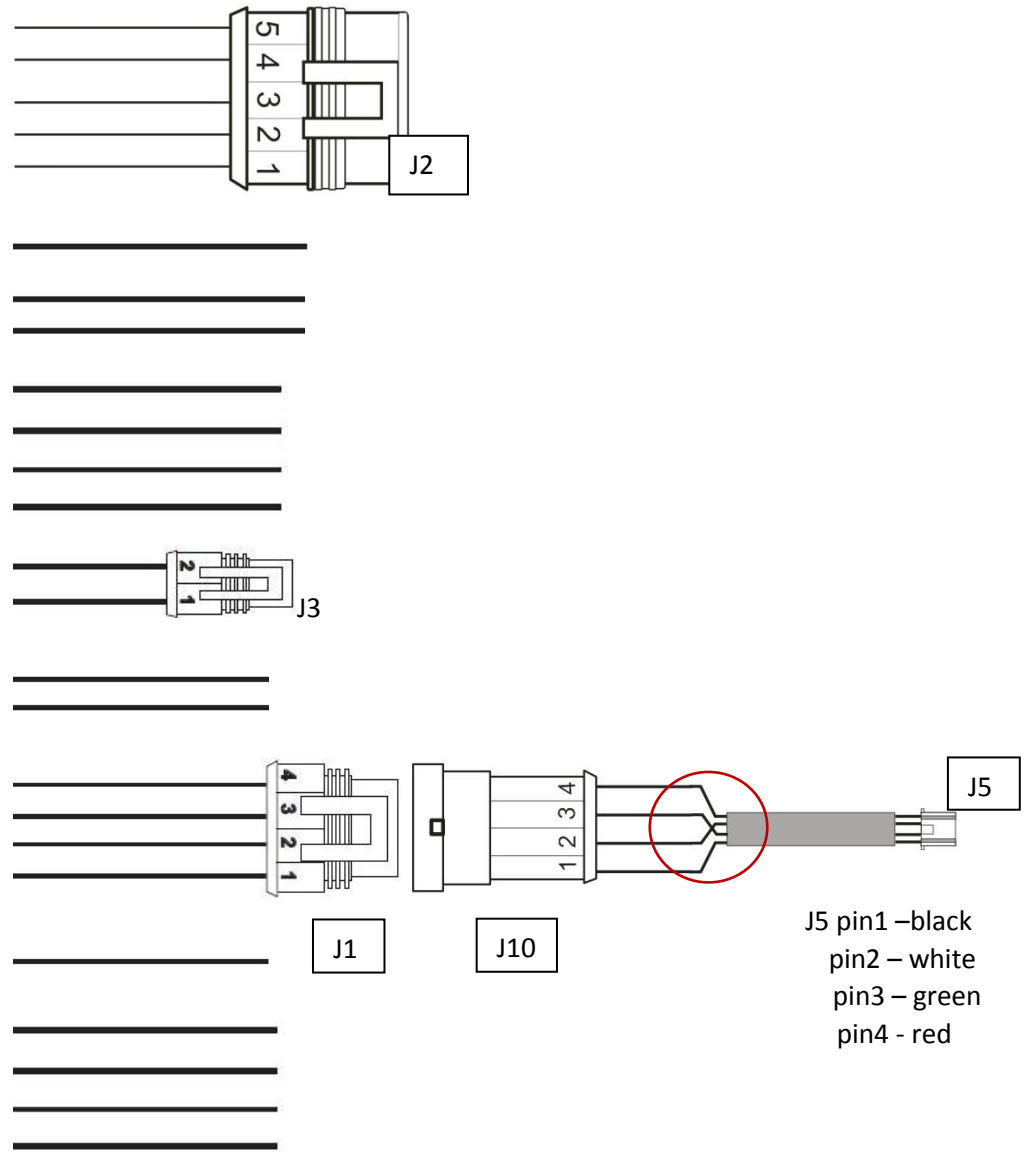


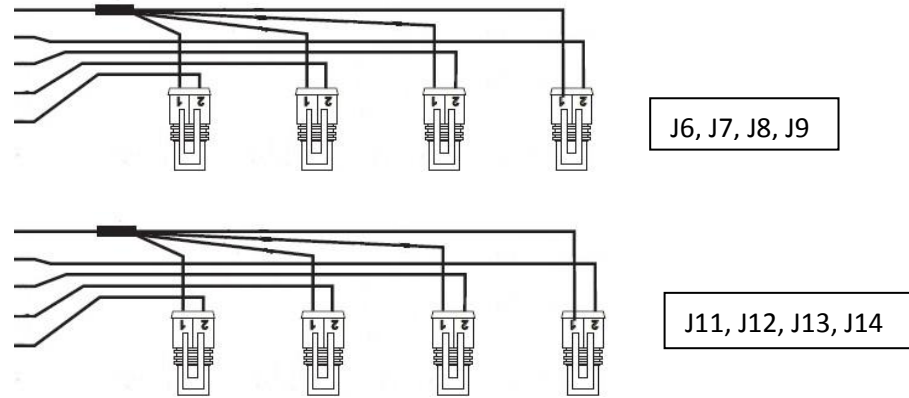
WIRE ZENIT PRO OBD 8 CYL VALTEK ver. Z8OBD-TMAP201606VT

PIN JO	WIRE COLOR	Cross-section [mm <sup>2</sup> ]	Length [mm]	FUNCTION	PVC [mm]
L4	BLACK	0,50	1500	GND	TESA / 5
G1	BROWN	0,50	1500	MAP IN	
F1	WHITE	0,50	1500	P IN	
J1	PINK/BLACK	0,50	1500	GAS TEMP.	
M3	RED	0,50	1500	+ VKEY	
H1	BROWN	0,50	1700	RPM	3-5
M4	RED/BLACK	2,00	1500	+ BATT	5
L4	BLACK	2,00	1500	GND	
B1	BLUE/BLACK	0,75	1700	EVGAS2	7
J4	GREEN	0,50	1700	+VLEVEL	
F3	WHITE	0,50	1700	LEVEL	
L4	BLACK	0,75	1700	GND	
K1	PINK	0,50	1700	REDUCER TEMP.	TESA / 5
L4	BLACK	0,50	1700	GND	
C1	BLUE	0,75	1700	EVGAS1	5
L4	BLACK	0,75	1700	GND	
L4	BLACK	0,35	400+2100	GND	TESA / 5
E1	GREEN	0,35	400+2100	LEV OUT/TX	
D1	WHITE	0,35	400+2100	SWITCH/RX	
K2	RED	0,35	400+2100	+SWITCH	
L3	RED	0,75	2000	+VKEY IN	3-5
J3	ORANGE	0,50	2500	CAN H	5-7
K3	ORANGE/BLACK	0,50	2500	CAN L	
G3	GREEN	0,50	2500	ISO H	
H3	GREEN/BLACK	0,50	2500	ISO L	



F2	VIOLET	0,50	1700	LAMBDA 1 IN	5	_____
G2	VIOLET/BLACK	0,50	1700	LAMBDA 2 IN	5	_____
E2	GREY	0,50	2000	INJ B1	5-7	_____
E3	GREY/BLACK	0,50	2000	INJ ECU 1		_____
D2	YELLOW	0,50	2000	INJ B2		_____
D3	YELLOW/BLACK	0,50	2000	INJ ECU 2		_____
C2	VIOLET	0,50	2000	INJ B3	5-7	_____
C3	VIOLET/BLACK	0,50	2000	INJ ECU 3		_____
B2	BLUE	0,50	2000	INJ B4		_____
B3	BLUE/BLACK	0,50	2000	INJ ECU 4		_____
F4	GREEN	0,50	2000	INJ B5	5-7	_____
G4	GREEN/BLACK	0,50	2000	INJ ECU 5		_____
E4	RED	0,50	2000	INJ B6		_____
H4	RED/BLACK	0,50	2000	INJ ECU 6		_____
K4	BROWN	0,50	2000	INJ B7	5-7	_____
B4	BROWN/BLACK	0,50	2000	INJ ECU 7		_____
D4	PINK	0,50	2000	INJ B8		_____
C4	PINK/BLACK	0,50	2000	INJ ECU 8		_____

M3	RED/BLACK	0,75	1600	+VKEY OUT	TESA / 8
M1	BLUE	0,75	1900	OUT GAS 4	
L1	VIOLET	0,75	1900	OUT GAS 3	
L2	YELLOW	0,75	1900	OUT GAS 2	
M2	GREY	0,75	1900	OUT GAS 1	
M3	RED/BLACK	0,75	1600	+VKEY OUT	TESA / 8
A1	PINK	0,75	1900	OUT GAS 8	
A2	BROWN	0,75	1900	OUT GAS 7	
A4	RED	0,75	1900	OUT GAS 6	
A3	GREEN	0,75	1900	OUT GAS 5	



J0 – Molex 643201311 + 643201301

J1 – 282088-1

J2 - 282089-1

J3, J6, J7, J8, J9, J11, J12, J13, J14 - 282080-1

J5 – PAP-04V-S

J10 – 282106-1